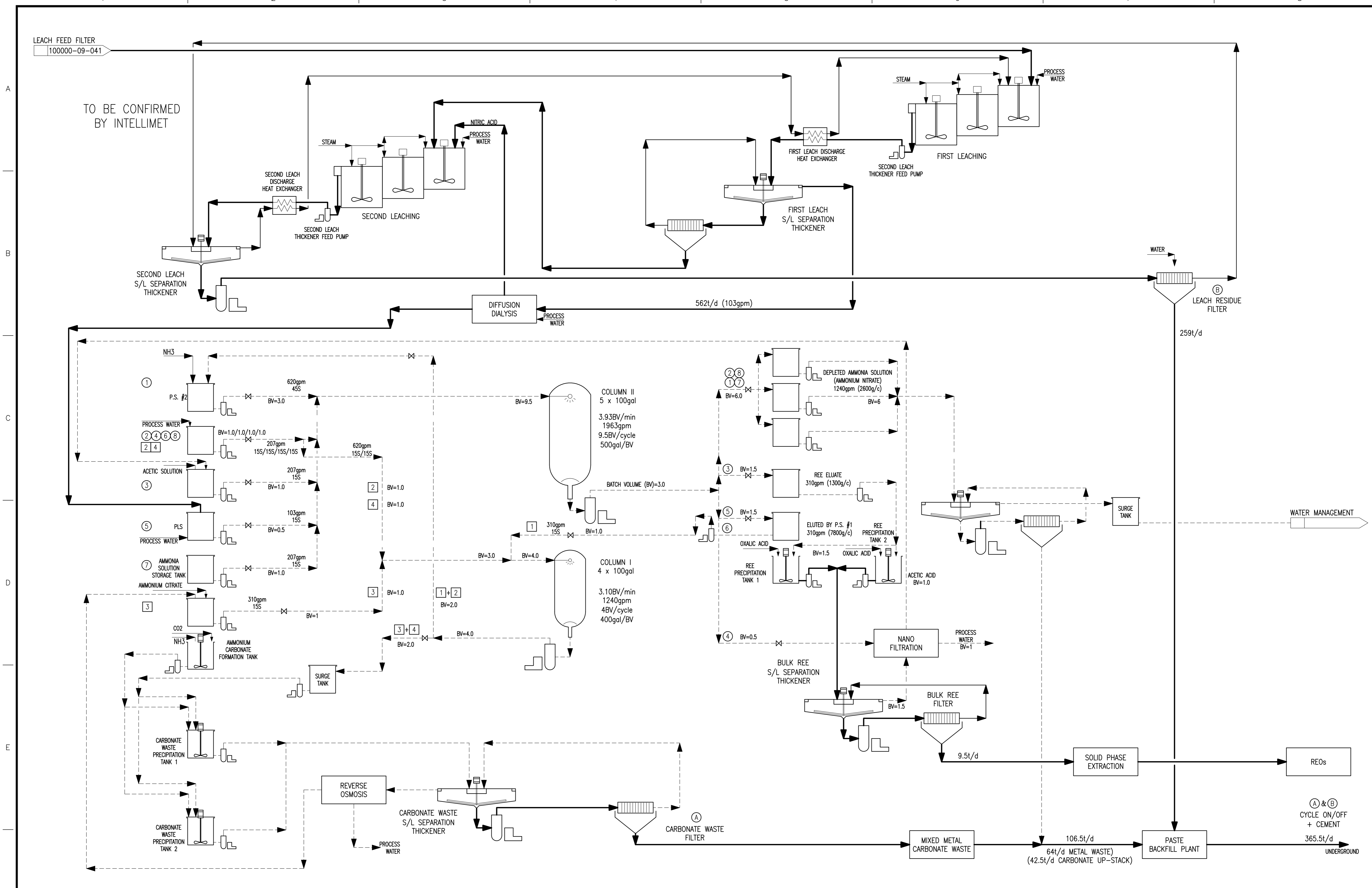


<small>THE CONTENT OF THIS DOCUMENT IS NOT INTENDED FOR THE USE OF, NOR IS IT INTENDED TO BE RELIED UPON BY ANY PERSON, FIRM OR CORPORATION OTHER THAN THE CLIENT AND TETRA TECH WEI Inc. (Tetra Tech). TETRA TECH WEI Inc. (Tetra Tech) DENIES ANY LIABILITY WHATSOEVER TO OTHER PARTIES FOR DAMAGES OR INJURY SUFFERED BY SUCH THIRD PARTY ARISING FROM THE USE OF THIS DOCUMENT BY THEM. WITHOUT THE EXPRESS WRITTEN AUTHORITY OF TETRA TECH WEI Inc. (Tetra Tech) AND OUR CLIENT, THIS DOCUMENT IS SUBJECT TO FURTHER RESTRICTIONS IMPOSED BY THE CONTRACT BETWEEN THE CLIENT AND TETRA TECH WEI Inc. (Tetra Tech) AND THESE PARTIES' PERMISSION MUST BE OBTAINED REGARDING THIS DOCUMENT IN ALL OTHER CIRCUMSTANCES.</small>										DWG. NO.		REFERENCE DRAWINGS		<table border="1"> <thead> <tr> <th>CLIENT</th> <th>PROJ.MAN</th> <th>PROJ.ENG</th> <th>PROCESS</th> <th>ELECTR.</th> <th>INSTR.</th> <th>MECH.</th> <th>STRUCT.</th> <th>SPRINGS</th> <th>ARCH.</th> <th>LAYOUT</th> <th>REV. No.</th> <th>ISSUE No.</th> <th>DESCRIPTION</th> <th>DATE</th> <th>BY</th> </tr> </thead> <tbody> <tr> <td></td> <td></td> <td></td> <td></td> <td></td> <td></td> <td></td> <td></td> <td></td> <td></td> <td></td> <td>B</td> <td>1</td> <td>ISSUED FOR PEA</td> <td>08JAN13</td> <td>AO</td> </tr> <tr> <td></td> <td></td> <td></td> <td></td> <td></td> <td></td> <td></td> <td></td> <td></td> <td></td> <td></td> <td>A</td> <td>1</td> <td>ISSUED FOR INFORMATION</td> <td>07JAN13</td> <td>AO</td> </tr> </tbody> </table>										CLIENT	PROJ.MAN	PROJ.ENG	PROCESS	ELECTR.	INSTR.	MECH.	STRUCT.	SPRINGS	ARCH.	LAYOUT	REV. No.	ISSUE No.	DESCRIPTION	DATE	BY												B	1	ISSUED FOR PEA	08JAN13	AO												A	1	ISSUED FOR INFORMATION	07JAN13	AO	SECTION: PROCESS		CLIENT:		TITLE	
CLIENT	PROJ.MAN	PROJ.ENG	PROCESS	ELECTR.	INSTR.	MECH.	STRUCT.	SPRINGS	ARCH.	LAYOUT	REV. No.	ISSUE No.	DESCRIPTION	DATE	BY																																																														
											B	1	ISSUED FOR PEA	08JAN13	AO																																																														
											A	1	ISSUED FOR INFORMATION	07JAN13	AO																																																														
										SCALE: NONE		DATE				BOKAN MOUNTAIN PROJECT - PEA																																																													
										DESIGN BY: MG		27JUL12				OVERALL SIMPLIFIED PROCESS FLOW DIAGRAM No.1																																																													
										DRAWN BY: AO		27JUL12		PRINCE OF WALES ISLAND, ALASKA		FILENAME																																																													
										CHECK BY: JH		08JAN13		PROJECT NUMBER		DRAWING NUMBER																																																													
										APP. BY: HC		08JAN13		11960001.00		100000-09-041																																																													
														REV.		B																																																													



<p>THE CONTENT OF THIS DOCUMENT IS NOT INTENDED FOR THE USE OF, NOR IS IT INTENDED TO BE RELIED UPON BY ANY PERSON, FIRM OR CORPORATION OTHER THAN THE CLIENT AND TETRA TECH WEI INC. (Tetra Tech). TETRA TECH WEI INC. (Tetra Tech) DENIES ANY LIABILITY WHATSOEVER TO OTHER PARTIES FOR DAMAGES OR INJURY SUFFERED BY SUCH THIRD PARTY ARISING FROM THE USE OF THIS DOCUMENT BY THEM, WITHOUT THE EXPRESS WRITTEN AUTHORITY OF TETRA TECH WEI INC. (Tetra Tech) AND OUR CLIENT. THIS DOCUMENT IS SUBJECT TO FURTHER RESTRICTIONS IMPOSED BY THE CONTRACT BETWEEN THE CLIENT AND TETRA TECH WEI INC. (Tetra Tech) AND THESE PARTIES' PERMISSION MUST BE OBTAINED REGARDING THIS DOCUMENT IN ALL OTHER CIRCUMSTANCES.</p>																	
DWG. NO.	REFERENCE DRAWINGS																
CLIENT	PROJ. NO.	PROJ. NAME	PROJ. LOCATION	PROJ. DATE	PROJ. STATUS	PROJ. DESCRIPTION	PROJ. CONTACT	PROJ. PHONE	PROJ. FAX								
CLIENT	PROJ. NO.	PROJ. NAME	PROJ. LOCATION	PROJ. DATE	PROJ. STATUS	PROJ. DESCRIPTION	PROJ. CONTACT	PROJ. PHONE	PROJ. FAX								
REV. No.	ISSUE No.	DESCRIPTION	DATE	BY													
B 1	1	ISSUED FOR PEA	08JAN13	AO													
A 1	1	ISSUED FOR INFORMATION	07JAN13	AO													
SECTION: PROCESS			CLIENT:		TITLE												
SCALE: NONE			DATE:		BOKAN MOUNTAIN PROJECT - PEA												
DESIGN. BY: MG			27JUL12		OVERALL SIMPLIFIED												
DRAWN BY: AO			27JUL12		PROCESS FLOW DIAGRAM No.2												
CHECK. BY: JH			08JAN13		PRINCE OF WALES ISLAND, ALASKA												
APP. BY: HG			08JAN13		<table border="1"> <tr> <td>FILENAME</td> <td>PROJECT NUMBER</td> <td>DRAWING NUMBER</td> <td>REV.</td> </tr> <tr> <td>10000009042.DWG</td> <td>11960001.00</td> <td>100000-09-042</td> <td>B</td> </tr> </table>					FILENAME	PROJECT NUMBER	DRAWING NUMBER	REV.	10000009042.DWG	11960001.00	100000-09-042	B
FILENAME	PROJECT NUMBER	DRAWING NUMBER	REV.														
10000009042.DWG	11960001.00	100000-09-042	B														